

Specification Status: Released

Electrical Rating

Voltage: 15V MAX
Current: 100A MAX

Chip Size: 5 X 7 mm

Leads: Ni-plated Stainless steel
 0.15 mm Nominal Thickness

Solder: Lead-free

Tape: Polyester (Yellow)
 8mm nominal width

Marking: (Color: Green)

- Manufacturer's Mark
- XX L07 — Part Identification
- — Lot Identification

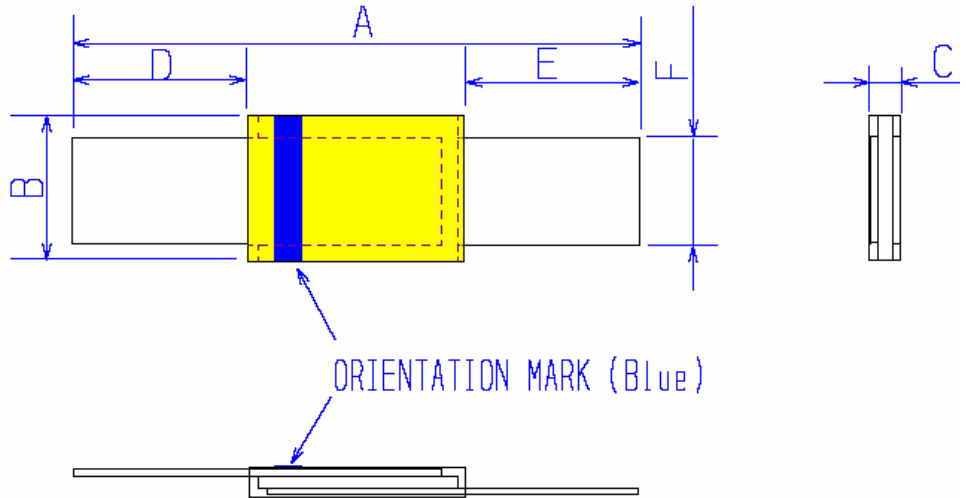


TABLE I. DIMENSIONS:

	A		B		C		D		E		F	
	MIN	MAX	MIN	MAX	MIN	MAX	MIN	MAX	MIN	MAX	MIN	MAX
mm:	19.9	22.1	4.9	5.2	0.7	1.2	5.5	7.5	5.5	7.5	3.9	4.1
in*:	(0.783)	(0.870)	(0.192)	(0.205)	(0.027)	(0.048)	(0.216)	(0.296)	(0.216)	(0.296)	(0.153)	(0.162)

*Rounded off approximation

TABLE II. PERFORMANCE RATINGS: As measured in Mueller Kelvin Clips model BU-75K.

I HOLD	CURRENT TRIP LIMITS								TIME TO TRIP		REFERENCE RESISTANCE		ONE-HOUR POST-TRIP RESISTANCE		TRIPPED-STATE POWER DISSIPATION		
	AMPS 20°C HOLD		AMPS AT 0°C HOLD TRIP		AMPS AT 20°C HOLD TRIP		AMPS AT 60°C HOLD TRIP		AMPS AT 80°C HOLD TRIP		SECONDS AT 20°C, 3.5 A TYP MAX		OHMS AT 20°C MIN MAX		OHMS AT 20°C TYP MAX		WATTS AT 20°C, 15V TYP MAX
0.7	0.85	1.80	0.70	1.45	0.35	0.75	0.22	0.45	2	5	0.10	0.20	0.23	0.34	0.7	1.0	

Agency Recognitions: UL, CSA, TUV
 Reference Documents: PS300
 Precedence: This specification takes precedence over documents referenced herein.
 Effectivity: Reference documents shall be the issue in effect on the date of invitation for bid.
 CAUTION: Operation beyond the rated voltage or current may result in rupture, electrical arcing or flame.
 Materials Information:

ROHS Compliant

Directive 2002/95/EC
 Compliant

ELV Compliant

Directive 2000/53/EC
 Compliant

Pb-Free

